

# NY DZUS<sup>®</sup> Q-Latch Quarter-Turn Fasteners

## Assembly

### Features

- Surface install
- Panel mounted assembly

### Material

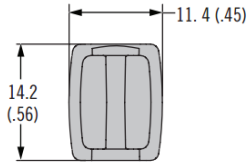
- Acetal copolymer resin, black

### Notes

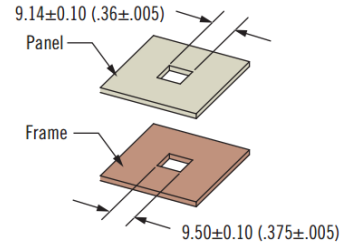
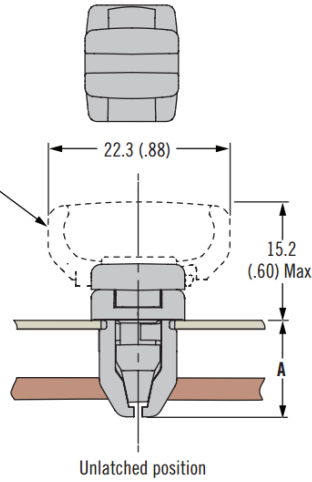
- Latch assembly shipped as one piece
- Wing must be ordered separately



### Latched



### Unlatched



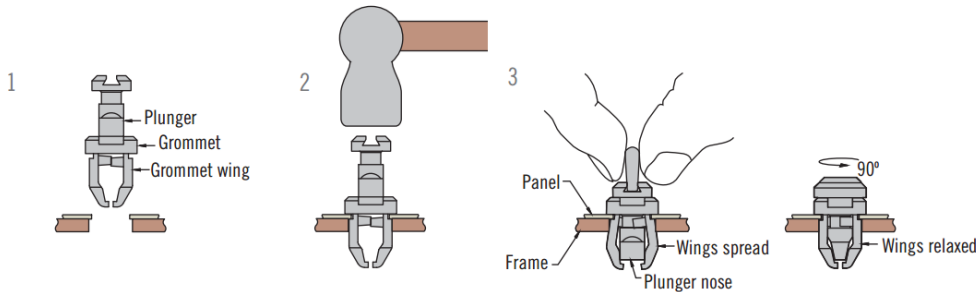
Latched position

Unlatched position

G	Grip Range		P Max.	A
	Min.	Max.		
1	1.50 (.059)	3.76 (.148)	1.0 (.042)	12.7 (.50)
2	1.93 (.076)	4.19 (.165)	1.5 (.057)	12.95 (.51)
3	3.00 (.118)	5.26 (.207)	2.5 (.098)	13.97 (.55)
4	4.62 (.182)	6.88 (.271)	4.1 (.162)	15.75 (.62)

### Installation Notes

1. Insert assembly into outer panel
2. Strike head of assembly to captivate assembly into outer panel
3. Turn stud 90 degree to latch and unlatch
4. Slide wing into slot



### Assembly

### Optional Wing (order separately)

**NY - N6 - G - F**

**NY - H6 - F**

- G** Grip range
- 1 1.50 - 3.76 (.059 - .148)
  - 2 1.93 - 4.19 (.076 - .165)
  - 3 3.00 - 5.26 (.118 - .207)
  - 4 4.62 - 6.88 (.182 - .271)

- F** Finish
- 10 Polycarbonate, white
  - 20 Polycarbonate, black
  - 30 Polysulfone, black
  - 31 Polysulfone, white



We are proud to be Southco's authorized distributor of over 20 years